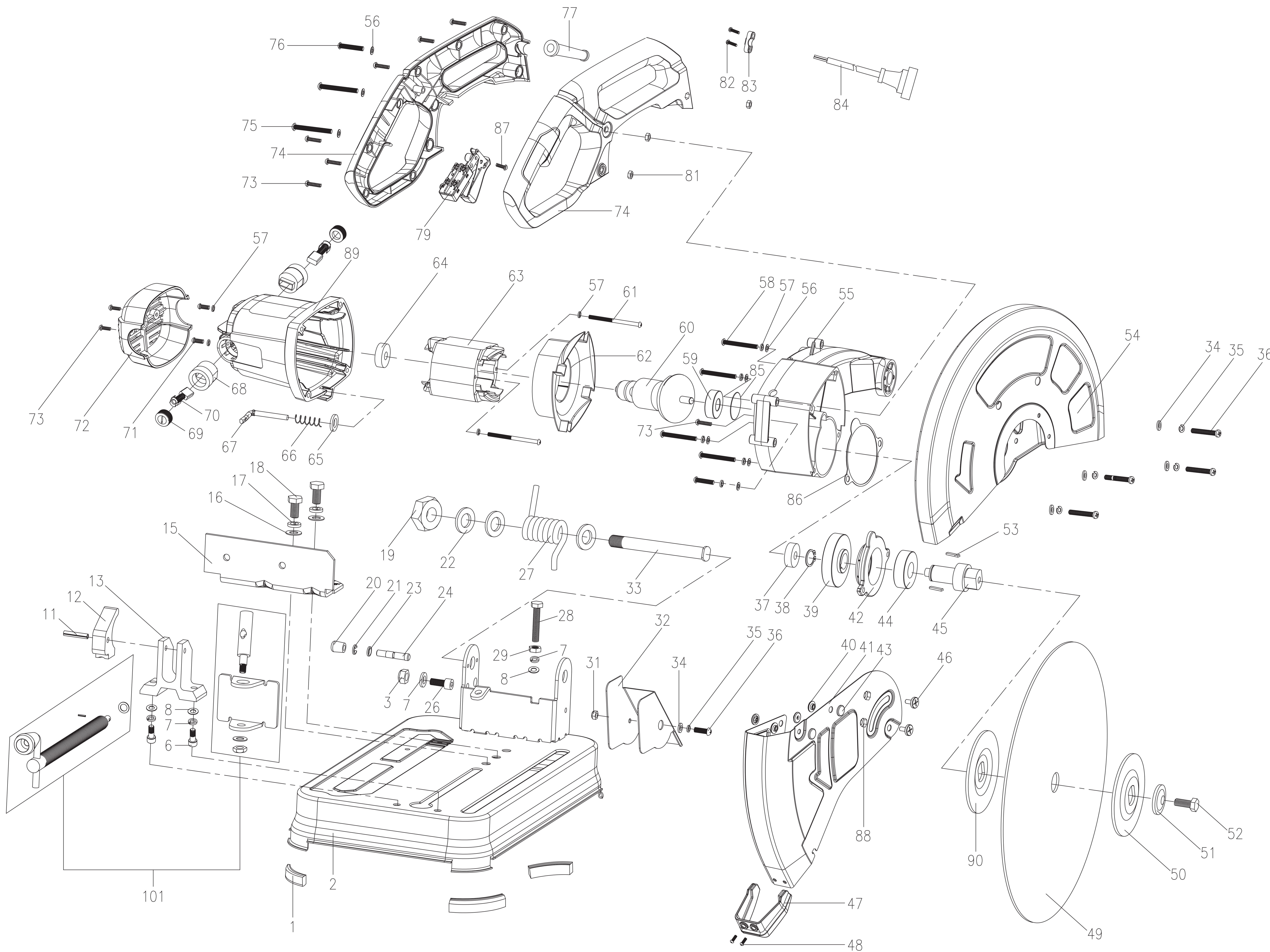


# DX519

Version:00  
Date:200110



Model No	Position No	Material No	Description	QTY	Remarks	Recommended order ratio	Serial No
DX519	1	60057948	Rubber Feet	3			
DX519	2	60057949	Base set	1		1%	
DX519	6	60057950	Screw M8X16	2			
DX519	7	60057951	Spring washer 8	4			
DX519	11	60057952	Cylindrical Pin 6.3*30	1			
DX519	12	60057953	Nut	1		1%	
DX519	13	60057954	Nut seat	1			
DX519	15	60057955	Big Splint	1			
DX519	16	60057956	Flat Washer	2			
DX519	17	60057957	Spring Washer	2			
DX519	18	60057958	Bolt M10X20	2			
DX519	19	60057959	Lock Nut M16	1			
DX519	20	60057960	Limit pin cap	1			
DX519	21	60057961	Circlip	1			
DX519	22	60057962	Flat Washer	3			
DX519	23	60057963	Seal Ring 8.5*1.9	1			
DX519	24	60057964	Limit Pin	1			
DX519	26	60057965	Screw M8X16	1			
DX519	27	60057966	Spring	1		3%	
DX519	28	60057967	Bolt M8X35	1			
DX519	29	60057968	Hex nut M8	1			
DX519	31	60057969	Lock Nut M6	1			
DX519	32	60057970	Dust Cover	1			
DX519	33	60057971	Rocker Reseller	1			
DX519	34	60057972	Flat Washer	5			
DX519	35	60057973	Spring Washer	5			
DX519	36	60057974	Screw M6X18	5			
DX519	37	60057975	Ball Bearing 6000	1		3%	
DX519	38	60057976	Retaining Ring 20	1		1%	
DX519	39	60057977	Gear	1		3%	
DX519	40	60057978	Protective Lock	3			
DX519	41	60057979	Active cover set	1			
DX519	42	60057980	Front Cover	1		1%	
DX519	43	60057981	Locking screw	3		1%	
DX519	44	60057982	Ball Bearing 6204	1		3%	
DX519	45	60057983	Output Spindle	1		3%	
DX519	46	60057984	Screw	2			
DX519	47	60057985	Protected Block	1			
DX519	48	60057986	Screw M6X8	2			
DX519	49	60057987	Cutting disc 355mm	1			
DX519	50	60057988	Outer flange	2			
DX519	51	60057989	Little Clamp	1			
DX519	52	60057990	Bolt M10X20	1			
DX519	53	60057991	Flat Key	2			
DX519	54	60057992	Guard Set	1			
DX519	55	60057993	Rocker Arm	1		1%	
DX519	56	60057994	Flat Washer	9			
DX519	57	60057995	Spring Washer	9			
DX519	58	60057996	Screw M5X30	4			
DX519	59	60057997	Ball Bearing 6202	1		3%	
DX519	60	60057998	Rotor	1		3%	
DX519	61	60057999	Self tapping screw ST5X75	2			
DX519	62	60058000	Wind Baffle Ring	1			
DX519	63	60058001	Stator Set	1		3%	
DX519	64	60058002	Ball Bearing 6200	1		3%	
DX519	65	60058003	Felt Seal	1			
DX519	66	60058004	Lock Spring	1			
DX519	67	60058005	Spindle Lock	1			
DX519	68	60058006	Brush holder	2		3%	
DX519	69	60058007	Brush Cover	2		3%	
DX519	70	60058008	Carbon Brush(Pair)	1		3%	
DX519	71	60058009	Self tapping screw ST5X12	2			
DX519	72	60058010	Back Cover	1			
DX519	73	60058011	Self tapping screw ST4X14	9			
DX519	74	60058012	Left/Right Handle Cover	1			
DX519	75	60058013	Screw M5X45	2			
DX519	76	60058014	Screw M5X35	1			
DX519	77	60058015	Cable protector	1			
DX519	79	60058016	Switch	1		3%	
DX519	81	60058017	Nut M5	3			
DX519	82	60058018	Self tapping screw ST4X16	2			
DX519	83	60058019	Cord Clamp	1			
DX519	84	60066350	Power cord	1	for AE-BS	1%	
DX519	84	60068671	Power cord	1	for RU	1%	
DX519	84	60064759	Power cord	1	for AR	1%	
DX519	84	60058020	Power cord	1	for BR,PY,PE	1%	
DX519	84	60066349	Power cord	1	for AE-VDE	1%	
DX519	84	60067006	Power cord	1	for EU	1%	
DX519	84	60070024	Power cord	1	for CL	1%	
DX519	84	60064758	Power cord	1	for CN	1%	
DX519	85	60058021	O Ring	1			
DX519	86	60058022	Linoleum	1		3%	
DX519	87	60058023	Self tapping screw ST4X10	1			
DX519	88	60058024	Lock Nut M5	1			
DX519	89	60058025	Left/Right housing	1			
DX519	90	60058026	Inner Flange	1			
DX519	101	60058027	Screw assembly	1		1%	